



TWB-02510

# 25' x 10' Truckable Workboat

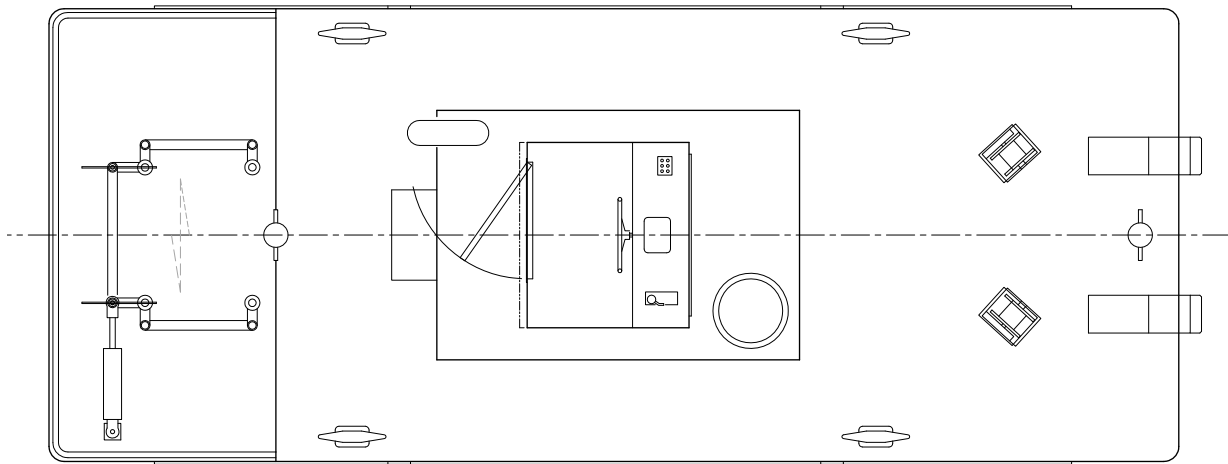
The 25' Truckable Workboat is designed for over-the-road transportation, with a maximum breadth of 10-ft over the guards. The deckhouse folds forward to minimize height during transport, with a height of less than 11-ft from keel to top of the fixed push knees.

The Workboat is fitted with push knees forward, as well as a pair of wire winches to secure to a float or barge. A single diesel provides propulsion power to a fixed pitch propeller. Flanking rudders provide excellent maneuverability. Twin diesel propulsion is available in a version that is 13-ft over the guards.

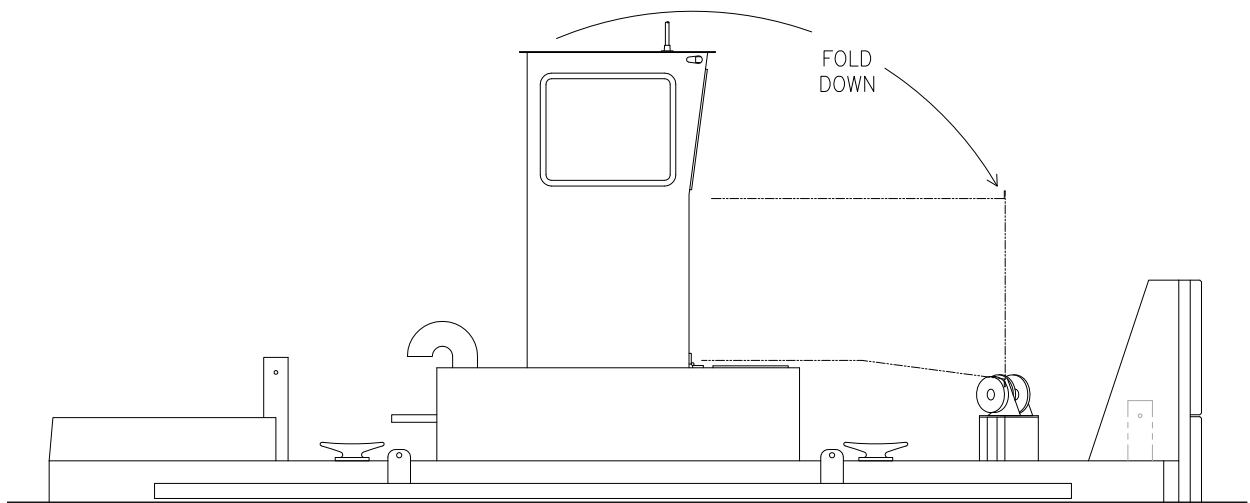
## Overall Dimensions

Overall Length.....25'-6'  
 Molded Breadth .....10'  
 Molded Depth ..... 4'-1"  
 Fuel Oil.....265 gal

Fuel Oil.....265 gal  
 Main Propulsion.....John Deere  
 6068TFM  
 178 HP @ 2500 RPM



MAIN DECK



OUTBOARD PROFILE